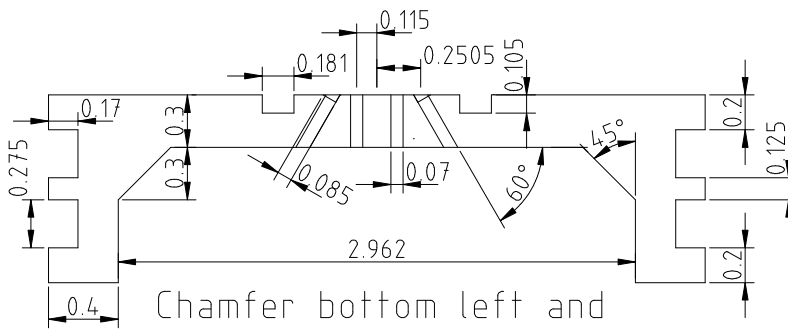


O-rings: Viton Shore A 75  
 -340 (nominal OD 3-3/4",  
 thickness 3/16")  
 -213 (nominal OD 1-3/16",  
 thickness 1/8")



Chamfer bottom left and right corners (as shown on side view) to 45-degree angle 0.0625" from the edge. DO NOT chamfer top left and right corners!

